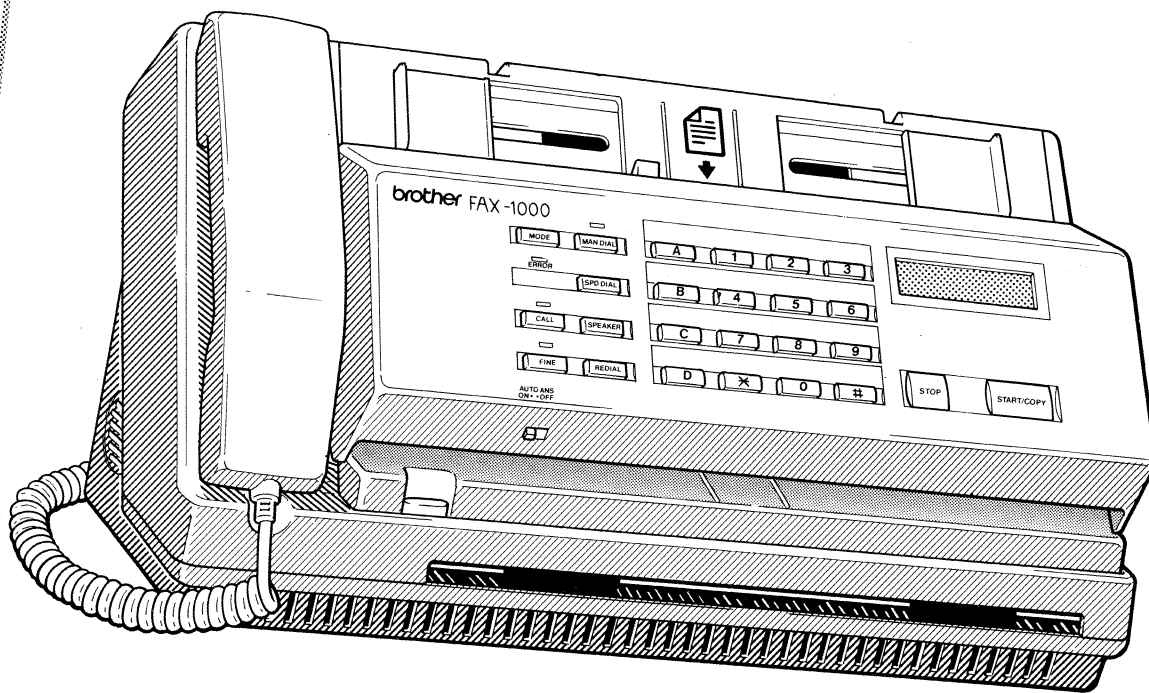

FAX-1000

Owner's Manual



This unit generates, uses and can radiate radio frequency energy and if not installed and used in accordance with the Owner's Manual, may cause interference to radio and television reception. It has been tested and found to comply with the limits for a Class A computing device in accordance with the specifications of Subpart J of Part 15 of the FCC rules, which are designed to provide reasonable protection against such interference in a residential installation. However, there is no guarantee that interference will not occur in a particular installation. If this unit does cause interference (such as static) to radio or television reception, which can be determined by turning the unit off and on, the user is encouraged to try to correct the interference by employing one or more of the following measures:

- change the location of the receiving antenna (indoor type)
- move the unit away from the radio or TV
- plug the unit into a different outlet so that the unit and the radio or TV are on different branch circuits.

If necessary, the user should consult the dealer or an experienced radio/TV technician for additional suggestions. The user may find the following booklet prepared by the Federal Communications Commission helpful: "How to Identify and Resolve Radio-TV Interference Problems". This booklet is available from the U.S. Government Printing Office, Washington, D.C., 20402, Stock No. 004-000-00345-4.

Brother cannot accept any financial or other responsibilities that may be the result of your use of this information, including direct, indirect, special or consequential damages. There are no warranties extended or granted by this document.

The serial number may be found on the label affixed to the back of the unit. For your convenience, note this number below and retain this Owner's Manual to serve as a permanent record of your purchase, in the event of a theft or fire or for future reference.

MODEL NO. FAX-1000 SERIAL NO. _____
NAME OF DEALER _____
DATE OF PURCHASE _____

This equipment complies with Part 68 of the FCC Rules. On the rear panel of this equipment is a label that contains, among other information, the FCC Registration Number and Ringer Equivalence Number (REN) for this equipment. You must, upon request, provide this information to your telephone company.

Ask your telephone company or installer to install the jack suitable for your device if such is not available.

The REN is useful to determine the quantity of devices you may connect to your telephone line and still have those devices ring when your telephone number is called. In most, but all areas, the sum of the RENs of all devices connected to one line should not exceed five (5.0). To be certain of the number of devices you may connect to your line, as determined by the REN, you should contact your local telephone company to determine the maximum REN for your calling area.

If your telephone equipment causes harm to the telephone network, the Telephone Company may discontinue your service temporarily. If possible, they will notify you in advance. But if advanced notice isn't practical, you will be notified as soon as possible. You will be informed of your right to file a complaint with the FCC.

Your Telephone Company may make changes in its facilities, equipment, operations or procedures that could affect the proper functioning of your equipment. If they do, you will be notified in advance to give you an opportunity to maintain uninterrupted telephone service.

If you experience trouble with this telephone equipment, please contact the manufacturer's authorized service agency for information on obtaining service or repair. The telephone company may ask that you disconnect this equipment from the network until the problem has been corrected or until you are sure that the equipment is not malfunctioning.

WARNING:

For protection against the risk of electrical shock, always disconnect all cables from the wall outlet before servicing, modifying or installing the equipment.

This equipment may not be used on coin service provided by the Telephone Company nor connected to party lines.

TABLE OF CONTENTS

Contents	Page
INTRODUCTION	1
PRE-INSTALLATION INSTRUCTIONS	2
Before removing the unit from the packing carton	2
Contents of the packing carton	2
Procedures for removing the unit from the packing carton	2
INSTALLING THE UNIT	3
I. Single-line telephone connections	3
II. Multi-line telephone connections	4
III. Electrical connection	4
IV. Inserting the recording paper into the unit	4
GETTING FAMILIAR WITH THE UNIT	6
I. The FAX-1000 – parts and their functions	6
II. The control panel	7
III. Programming the unit	8
OPERATING THE UNIT	11
I. The copy mode	11
II. How to transmit documents	12
III. How to receive documents	16
IV. How to use the telephone handset	17
V. The journal, transmission and other reports	18
TROUBLESHOOTING	20
TELEPHONE DIRECTORIES	22
SPECIFICATIONS	24

INTRODUCTION

Thank you for purchasing the Brother FAX-1000. This **Owner's Manual** will help you derive the fullest benefits from this new, powerful but compact facsimile transceiver.

The Brother FAX-1000 is a modern, compact desktop digital facsimile unit. Its performance is compatible with CCITT Group 3 and Group 2. Therefore, your new FAX-1000 is compatible with most modern facsimile units in the world. The FAX-1000 is the ideal mid-volume stand-alone unit or a satellite unit in a larger facsimile network.

All of the Brother FAX-1000 features can be easily learned by following step-by-step procedures listed on the following pages. As you become familiar with the features and operation of the unit, **keep the Owner's Manual handy for quick references and reminders.**

The **Owner's Manual** provides a step by step description of the procedures you should employ in unpacking, installing and learning to operate your Brother FAX-1000 facsimile unit. If you follow these instructions, you will have no problem with either the installation or the operation of the unit.

Modern digital facsimile units are *extremely* reliable. If you exercise the necessary care, you will enjoy years of totally trouble-free enjoyment of this unit.

Now, open the **Owner's Manual** to PRE-INSTALLATION INSTRUCTIONS (page 2) and read the material carefully.

PRE-INSTALLATION INSTRUCTIONS

BEFORE REMOVING THE UNIT FROM THE CARTON

The Brother FAX-1000 is designed to operate in an office environment. It is rugged, reliable and virtually maintenance-free. However, to ensure years of trouble-free performance, please observe the following precautions:

- Do not locate the unit near heaters, air conditioners, in direct sunlight or in extremely dusty environments.
- Install the unit on a flat level surface, such as a desk, a table, a typewriter or computer stand.
- Do not locate the unit where water or chemicals are likely to splash on it.
- Select a vibration-free area of your office.
- Locate the unit within 3 feet from a telephone wall jack.
- Locate the unit within 3 feet of a standard, grounded outlet.
- Avoid plugging in the unit into an outlet which is on the same line as an air conditioner, a refrigeration unit, a copier, an electric typewriter or any other device that draws a lot of current in a relatively short period of time.

CONTENTS OF THE PACKING CARTON

The packing carton contains:

1. The Brother FAX-1000 UNIT
2. One roll of thermal recording paper
3. Telephone handset
4. Telephone line cord
5. Owner's Manual
6. Warranty card
7. Test Sheet
8. Original document supporter
9. AC power cord
10. Facsimile supply order form
11. One touch level sheet

Note: You can order a RECEIVING CATCH TRAY (optional). Contact your dealer if interested in ordering this part.

PROCEDURES FOR REMOVING THE UNIT FROM THE PACKING CARTON

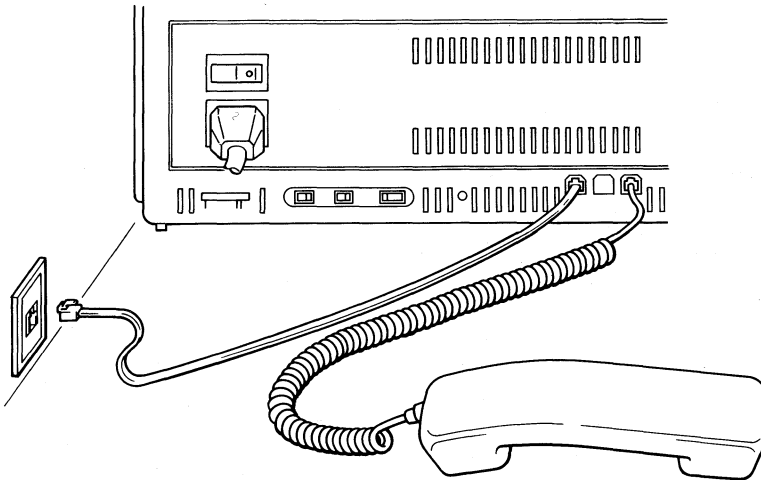
1. Carefully open the carton (see the appropriate inscription on the carton)
2. Pull out the FAX-1000 and the other devices together with the packing trays
3. Remove all packing trays and plastic from the unit
4. Take out the telephone line cord from the plastic packaging
5. Locate and take out the paper roll

INSTALLING THE UNIT

I. SINGLE-LINE TELEPHONE CONNECTIONS

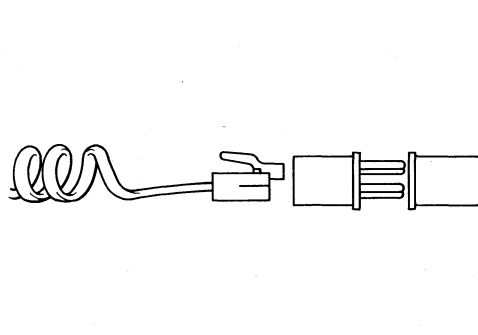
The simplest way to connect the Brother FAX-1000 unit to the public switched telephone network (phone company lines) is to use a single telephone line. The connection is particularly simple if you have a modular wall jack. The most common modular jack is referred to as the **RJ11C jack**. If you have such a jack, follow the instructions below. If your wall jack is not modular, it is very easy to convert the wall plug to a modular form. Conversion is very simple and conversion kits are available from your local phone company, an electronics / computer store (e.g., Radio Shack) or the AT&T phone stores.

To give you a conceptual idea of the connections, here is a diagram.



If you have MODULAR PHONE JACKS (RJ11C), simply plug the phone cord into the wall jack.

If you have the older 4-PRONG JACK, you must use a modular 4-prong adapter USOC (RJA1X). Plug the adapter into the wall jack and then plug the phone cord into the adapter.



To connect your FAX-1000 to the telephone line, follow these steps:

- The telephone handset which is included in the carton must be connected to the FAX-1000 by plugging in the handset cord into the jack on the side of the FAX-1000 unit.
- Take the telephone cord which is also included in the carton and connect one of its plugs to the jack in the back of the FAX-1000 unit and the second plug to your modular wall jack (RJ11C). Now, the FAX-1000 is connected to the telephone network.

II. MULTI-LINE TELEPHONE CONNECTIONS

Most offices have key systems or PBXs. While in many cases it is relatively easy to connect the FAX-1000 to a key system or a PBX, we suggest that you contact the organization which installed your company's telephone system and ask them to connect the FAX-1000 to the system. If the FAX-1000 is connected to a multi-line system, ask your installer to connect the FAX-1000 to the last line on the system. This way, the FAX-1000 will not be activated by every phone call coming into your office. The preferred solution is to ask the phone company to assign a separate line to the facsimile unit. In this case, you can leave the unit on 24 hours a day and derive full benefits from its automatic, unattended operations capabilities.

III. ELECTRICAL CONNECTION

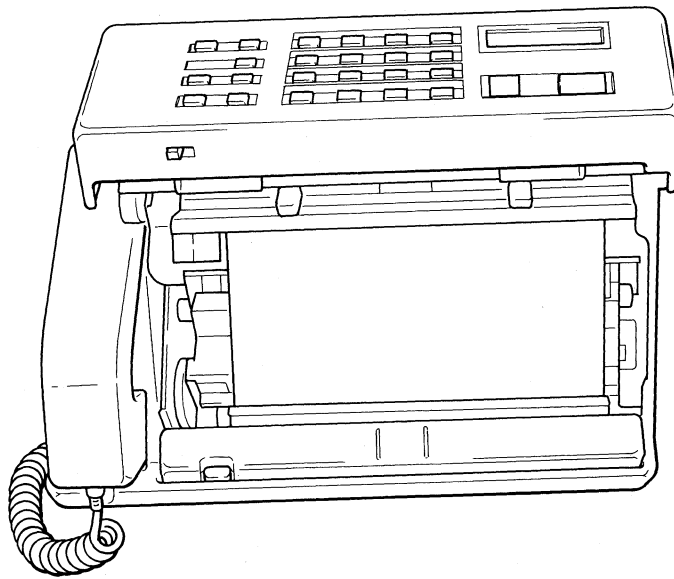
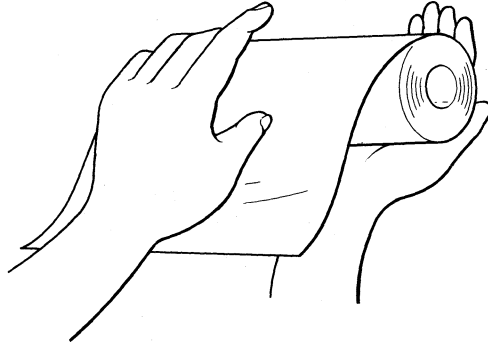
The FAX-1000 can be plugged into any standard power (120 VAC) outlet. Simply make sure that the outlet is grounded and that it is not on the same line as appliances or office machines which tend to draw a lot of power in a very short period of time, such as refrigerators, copiers, etc. The FAX-1000 power requirements are listed in the SPECIFICATIONS.

IV. INSERTING THE RECORDING PAPER ROLL INTO THE UNIT

To insert the paper roll, follow these directions:

1. Make sure that the POWER Switch is OFF. The switch is located on the back of the facsimile machine.
2. Press the OPEN button which is located at the lower left front of the machine. This opens the cover.
3. Hold the recording paper roll so that the free end of the paper points towards you from the top of the roll.
4. Place the paper roll into the machine* and insert the edge of the recording paper into the guide slot. Make sure that at least 1-1/2" of paper is fed into the slot.
5. Push the cover shut until you hear a click.
6. Turn the power ON.
7. Press the STOP button located on the right side of the cover for approximately one (1) second until you see the edge of the paper coming out of the unit.

* This unit accepts two sizes of paper – A4 (8-1/2") and B4 (10.1"). You can move the *adjustment plate* to accommodate the appropriate paper size.



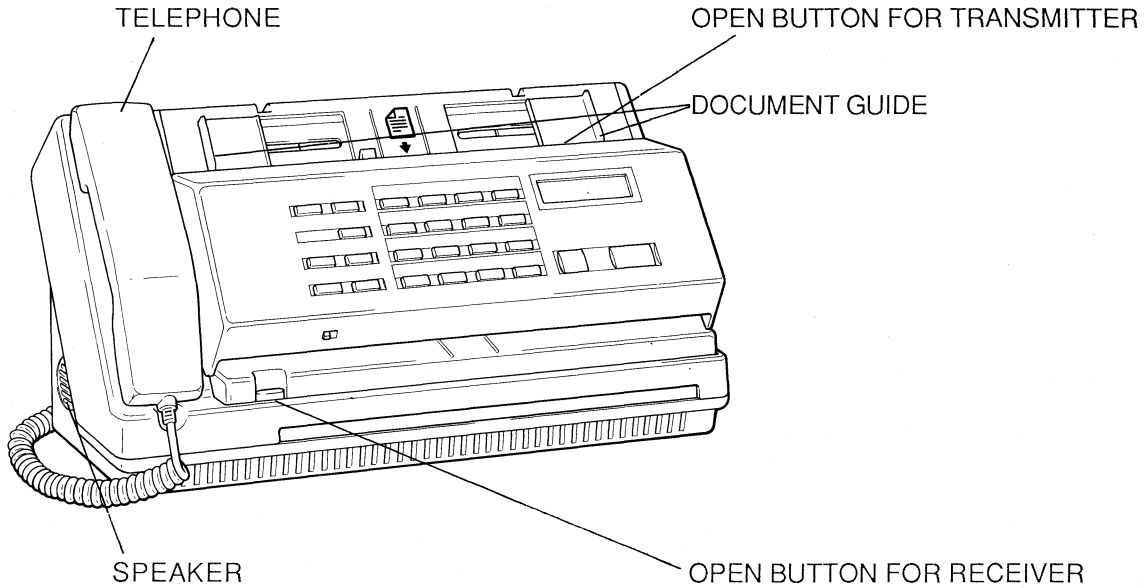
NOTE: The recording paper is heat-sensitive. Avoid exposure to high temperature, high humidity or direct sunlight.

NOW, YOU ARE READY FOR THE NEXT STEP – LEARNING HOW TO USE THE FAX-1000.

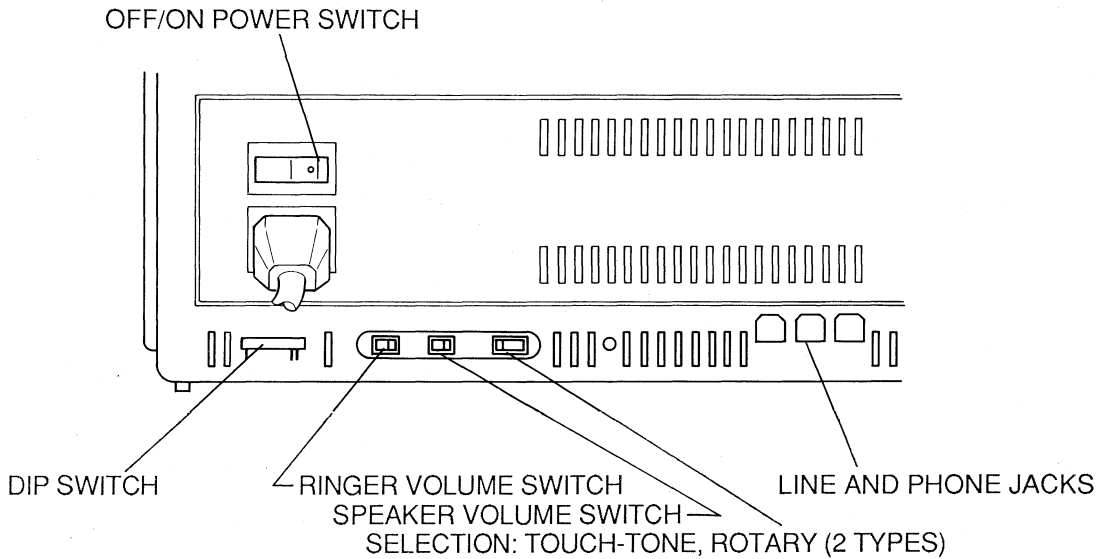
GETTING FAMILIAR WITH THE UNIT

I. THE FAX-1000 – PARTS AND THEIR FUNCTIONS

Now that the unit is connected to the telephone network and the power, take a few minutes to become familiar with the unit. The main parts of the unit and their functions are indicated in the diagram below:

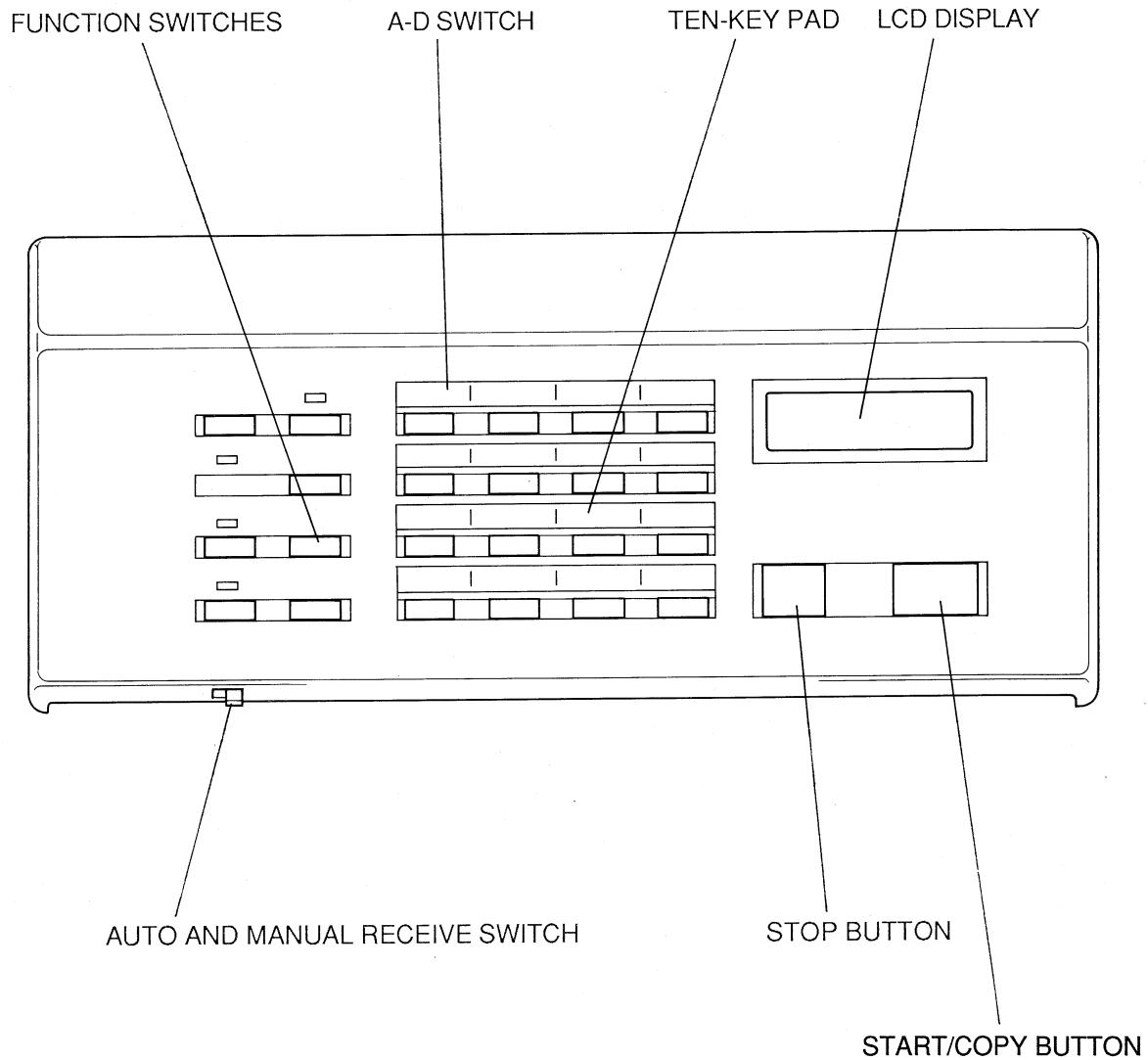


The functions of the various switches and jacks located at the back of the unit are indicated in the diagram below:



II. THE CONTROL PANEL

Now, let's take a look at the control panel of the Brother FAX-1000. The layout of the control panel and the purpose of the various buttons are shown in the diagram below:



The proper utilization of the various buttons will be explained when we will describe the various operating modes of the FAX-1000.

III. PROGRAMING THE UNIT

THE FAX-1000 has many capabilities. These can be programmed by the user. The method for programming these will be described when we address a specific capability. Here, we will address eight (8) fundamental operations. **Important: Perform all programming operations without a document in the feeder.**

- A. Programming the date and time
- B. Programming your own telephone number
- C. Programming your name or other form of ID
- D. Header print
- E. Selecting the number of rings for the unit to answer a transmission
- F. Programming one-touch and speed-dial telephone numbers
- G. Turning on the automatic paper cutter
- H. Reduction

A. Programming the date and time

This function is used for JOURNAL, TRANSMITTED DATE, TIME DISPLAY in the ready state and DELAY TRANSMIT.

1. Press the MODE key six (6) times. SET UP 2 appears on the display.
2. Press the START/COPY button three (3) times. TIME appears on the display.
3. Press the # key.
4. Input the appropriate number using the alphanumeric keypad.
5. Press # before each entry except after the final entry.
6. Press * when you are finished.

B. Programming your telephone number

The telephone number, if programmed, will be printed in the journal and the transmitted data at receiving terminals.

1. Press the MODE button six (6) times. SET UP 2 appears on the display.
2. Press the START/COPY button four (4) times. TEL. NUMBER appears on the display.
3. Press #.
4. Input your telephone number using the alphanumeric keypad. Use "A" for spaces. You can program up to 20 digits as your telephone number.
5. Press * when you are finished.

C. Programming your name or other form of an ID

The ID, if programmed, will appear in the LCD of the receiving terminal.

1. Press the MODE key six (6) times. SET UP 2 appears on the display.
2. Press the START/COPY button five (5) times. The display will say COMMENT.
3. Press the # and the FINE buttons simultaneously.
4. Press the MODE button until you see the desired letter. (If the MODE button is depressed over 2 seconds, letters will appear continuously.)
5. Press START/COPY to program this letter. Up to 12 letters can be programmed in the ID.
6. Press MODE until you see the second desired letter.
7. Press START/COPY to program this letter.
8. Continue until you've spelled out the entire name.
9. Press * when you are finished.

D. Header print

The header print, if programmed, will be printed in the journal and the transmitted data at the receiving terminals.

1. Press the MODE button six (6) times. SET UP 2 appears on the display.
2. Press the START/COPY button six (6) times. The display will say HEADER PRINT.
3. Press #.
4. Press FINE button.
5. Press MODE button until the desired letter appears. (If the MODE button is depressed over 2 seconds, letters will appear continuously.)
6. Hit START/COPY button to lock the letter in.
7. Continue until all desired letters (up to 31 letters) are programmed.
8. Press * to conclude the operation.

E. Selecting the number of rings when in manual receive mode

1. Press the MODE key six (6) times. SET UP 2 appears on the display.
2. Press the START/COPY button seven (7) times. You will see on the display the choice: TIMES OF RING 1 0:5 1:9 2:-
3. Make your selection by pressing either "0" or "1". If you press "2", the unit will not receive automatically regardless of how many times the phone rings.

NOTE: When in the automatic receive mode, the unit will pick up after 1 or 2 rings. In MANUAL RECEIVE case, if nobody answers after 5 or 9 rings, the mode will be changed to the FAX mode automatically and the unit will receive the document.

F. Programming one-touch and speed-dial numbers

There are 16 one-touch and 64 speed-dial numbers. Each number has a maximum of 25 positions alphanumeric characters and spaces. To program them, follow this procedure:

1. Press the MODE key six (6) times. SET UP 2 appears on the display.
2. Press the START/COPY button one (1) time. You will see on the display the words ONE TOUCH KEY.
3. Press FINE. The lamp will light.
4. Press "3" (or whatever number you wish to assign to this phone)
5. Press #.
6. Input the number; use "A" for spaces.
If you need an access code to dial outside your network you can add a pause by hitting the letter "D" when inserting the telephone number. Every "D" entered into the dialing sequence will add a three (3) second delay.
7. Press * when done.
8. The word NAME will appear on the display.
9. Press #.
10. Press MODE button until the desired letter appears. (If the MODE button is depressed over 2 seconds, letters will appear continuously.)
11. Press the START/COPY button to record the letter.
12. Continue until all selections are made.
13. Press *.

To input speed-dialing numbers, after step 3 press START/COPY again, then press SPD DIAL and a two (2) digit number you wish to assign to this phone number.

16 one-touch numbers can be represented by the letters (A to D), numbers (0 through 9) and the symbols (*and #). 64 speed-dial numbers of two (2) digits can be represented by (01 through 64).

G. Turning off the automatic paper cutter to receive continuously

If you wish to receive continuously (say, a computer printout or a long chart or graph), follow these procedures:

1. Press the MODE key five (5) times. SET UP 1 appears on the display.
2. Press the START/COPY button six (6) times.
3. Make your selection by pressing either "0" (no cutter) or "1" (cutter).

H. Reduction

The FAX-1000 will automatically reduce the document size to accommodate the destination equipment. To engage the reduction mode:

1. Press the MODE button five (5) times. SET UP 1 appears on the display.
2. Press the START/COPY button five (5) times.
3. Make your selection by pressing either "0" (no reduction) or "1" (automatic reduction).

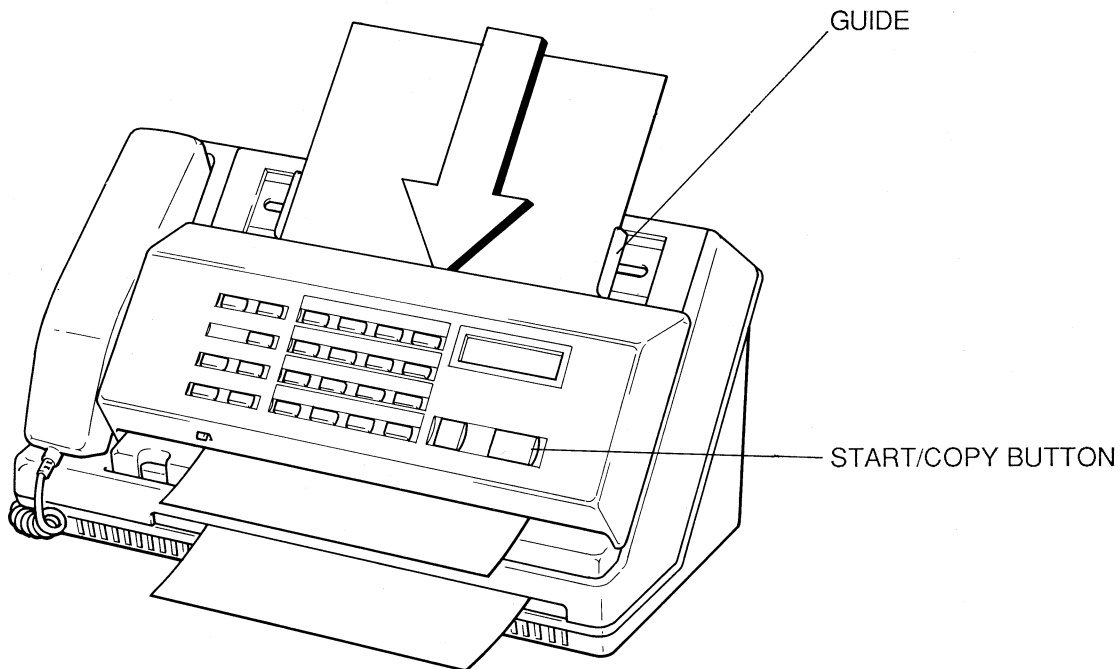
NOTE: The display returns to the initial display if no switch is pressed for more than 30 seconds.

OPERATING THE UNIT

I. THE COPY MODE

The easiest way to start using the unit is to try out the COPY MODE. To make a copy, follow the simple instructions below:

1. Make sure the unit is plugged in and that the unit has paper inside of it. The DISPLAY will show the year, month, day and time and the word READY.



2. Insert the document you wish to copy into the guide of the unit, as shown in the diagram above. The edges of the guide should be adjusted to fit the document. The text should be FACING you.
3. Press the START/COPY button on the front panel.

As soon as you press the START/COPY button, the unit will start pulling the document through the scanning area and you will see it begin to emerge at the bottom of the unit.
4. When the unit completes copying the document, the original will be completely free of the unit. The copy will be cut automatically.

NOTE: HALF TONE and FINE modes are set automatically while the FAX-1000 is functioning as a copier. For additional information about these modes, see below.

II. HOW TO TRANSMIT DOCUMENTS

A. Preparing to transmit documents

To prepare for document transmission, follow these steps:

1. Make sure the power is ON and the display indicates the year, month, date and time. The displayed prompt will read READY.
2. Insert the document into the guide face up. The display will continue showing the year, month, date and time. The READY will prompt you with a message – ENTER TEL NUMBER.
3. If you wish, you can set the resolution by pressing the FINE button. This will set either the FINE resolution, in which case the lamp above the button will light, or, if the unit was originally set to FINE, pressing the button will switch it to standard (STD). In this case, the lamp will go off.

Use FINE resolution for transmitting pictures, small print, detailed drawings, etc. Use STD (standard) resolution for normal documents.

4. If the document to be transmitted contains halftones, you can press the MODE button to set half tone. The display will say HALF TONE OFF and offer a choice – 0:OFF 1: ON. To set the half tone, press "1". The display will show the year, month, date and time and will request – ENTER TEL NUMBER.

The half tone mode is cancelled automatically when the transmission is completed, or after completion of copying or after a document is ejected. Half tone mode is not available in the G2 mode.

B. Transmitting documents

Now, you are ready to transmit your document. The exact procedure for transmission depends on your selection of one of four methods:

- Manual dialing
- On-hook dialing
- Speed dialing
- One-touch dialing

1. Manual dialing

- Insert the document. The display shows the year, month, date and time and the words ENTER TEL. NUMBER.
- Pick up the handset.
- Press MAN DIAL button. The Manual Dial lamp will light.
- Dial the other party. The display will show the number dialed and the word CALLING.
- Depending on how the receiver is programmed, you may hear from one to six rings. When the facsimile BEEP comes on, press the START/COPY button. The display will show the telephone number and the words HANG UP.
- Hang up the handset and the FAX-1000 starts transmitting. The document will be drawn into the unit. The display will continue to show the phone number and will say SENDING.
- When the transmission is completed, the document will emerge from the unit and you will hear a BEEP tone to indicate a completed transmission.

2. On-hook dialing

- Keep the handset on hook.
- Press MAN DIAL button. The manual dial lamp will light up.
- Dial the other party's number. The display will show the phone number.
- Press the START/COPY button. The word "DIALING" will appear in display. When dialing is complete then the word "CALLING" will appear. The word "CALLING" will be replaced with the word "SENDING" when connection is made.

NOTE: When performing dialing in facsimile mode as stated above, the unit will automatically REDIAL twice if no connection is made. If no connection is made after second redial, unit will alarm and "NO ANSWER SIGNAL" will appear in screen.

3. Speed-dialing

The procedure for setting up speed dial numbers (up to 64 of them) is described on page 9. Here, we are concentrating on transmitting documents using speed-dialing. The procedure is as follows:

- Insert the document. The display shows the year, month, date and time and the words ENTER TEL. NUMBER.
- Press the SPD DIAL button. A Δ sign appears on the display.
- Press the two-digit code representing the desired telephone number. The display will show this code next to the Δ symbol. This is then replaced by the actual preset telephone number represented by the code.
- Press the START/COPY button. The word DIALING will appear under the telephone number.
- The rest of the operation is automatic. As the facsimile will complete the connection and transmit the document, you will see the word CALLING appear to be replaced by the word SENDING.

NOTE: When performing dialing in facsimile mode as stated above, the unit will automatically REDIAL twice if no connection is made. If no connection is made after second redial, unit will alarm and "NO ANSWER SIGNAL" will appear in screen.

4. One-touch dialing

The procedure for setting up one-touch numbers (up to 16 of them) is described on page 9. The actual transmission procedure is:

- Insert the document. The display shows the year, month, date and time and the words ENTER TEL. NUMBER.
- Press the letter, number or symbol representing the desired telephone number. The display will show character. This is then replaced by the actual preset telephone number represented by the code.
- The word DIALING will appear under the telephone number, to be replaced by the word CALLING and then SENDING.

NOTE: When performing dialing in facsimile mode as stated above, the unit will automatically REDIAL twice if no connection is made. If no connection is made after second redial, unit will alarm and "NO ANSWER SIGNAL" will appear in screen.

If a "comment" was registered in the RECEIVING station, the comment will appear on the display of your facsimile unit. This comment is the message from the receiving station.

C. Transmitting multi-page documents

The FAX-1000 document feeder holds up to ten (10) pages. To transmit a multi-page document, simply insert the pages (up to 10) into the feeder face up, select the appropriate method of dialing and all ten pages will be transmitted one after another, starting with the top page. You may add additional pages by inserting them behind the last page in the feeder.

To stop the transmission, simply remove the feeder pages which have not yet been transmitted and push the STOP button.

D. Header transmission

When transmitted to a G3 unit, your documents will have a message printed at the top of the page. This header lists the year, month, date and time of the transmission, your telephone number, the name of your organization (or any other type of information), the serial number and the page number. The header can be erased, when desired by turning the header off in SET UP 1.

E. Delayed transmission

The FAX-1000 is capable of delayed transmission using a timer. The procedure for setting up delayed transmission is as follows:

1. Insert the document and press the MODE button three (3) times. The display will read DELAYED TX 0:OFF 1:ON.
2. Press "1" to select delayed transmission. The display will read DELAYED TX TIME.
3. Bearing in mind that the unit utilizes a 24-hour clock, set the time by simply pressing the appropriate numbers. These will appear in the display. Press * to set.
4. Dial in the other party's phone number using any of the four methods shown above. After you've made sure that you have the right number, press *. The display will show the telephone number and DELAYED TX with the desired time. The unit will initiate the transmission at the desired time automatically.

NOTE: When performing dialing in facsimile mode as stated above, the unit will automatically REDIAL twice if no connection is made. If no connection is made after second redial, unit will alarm and "NO ANSWER SIGNAL" will appear in screen.

F. Polling transmission

A previously inserted document can be transmitted to another facsimile unit when the receiving unit polls the transmitting unit.

To set the FAX-1000 into a polling mode as a transmitter of documents, follow this procedure:

1. Press the MODE button until the display shows POLLING OFF 0:OFF 1:ON.
2. Insert the documents into the feeder. Set resolution and half tone if necessary.
3. Press "1" and the display will say POLLING READY.
4. At a time convenient to the other party, they will poll your unit.

If you want to use your FAX-1000 as a receiver of documents, follow this procedure:

1. Press the MODE button until the display shows POLLING OFF 0:OFF 1:ON. Do not insert any documents into the feeder.
2. Press "1" and the display will say POLLING ENTER TEL. NUMBER.
3. Dial the polled party using any of the dialing methods discussed above.
4. If in AUTO RECEIVE mode, after confirming the telephone number, you can walk away. The FAX-1000 will perform the operations automatically.

If you are polling manually, wait until you hear the tone from the other unit, press START/COPY, hang up and then you can walk away.

IMPORTANT TRANSMISSION INFORMATION:

Do not transmit or copy very thick pages (over 0.12mm thick). If you have to transmit such pages, use a photocopier (not the FAX-1000) to make a copy and transmit the copy instead.

Do not transmit or copy wrinkled, wet documents. Make a photocopy and transmit it instead.

Do not transmit or copy documents printed on thick photographic paper, metal or textile. Make a photocopy and transmit it instead.

Do not transmit or copy documents that are too thin (tissue paper, tracing paper, etc.) The thinnest paper suitable for transmission is 0.055mm. Make a photocopy and transmit it instead.

Remove all staples and paper clips from the documents to be transmitted.

Do not transmit or copy documents held together by scotch tape. Photocopy them and transmit the photocopy.

Do not load the feeder with more than ten (10) documents at a time.

The following types of documents should not be multifed in the documents stacker, but fed individually. (Documents in carrier sheets and glossy papers)

Do not transmit documents of different sizes and/or thickness together.

Minimum document size that can be transmitted is: Width – 5.8", Length – 3.5"; maximum document size that can be transmitted is: Width – 10.1", Length — 47".

III. HOW TO RECEIVE DOCUMENTS

A. Automatic reception of documents

To receive documents automatically, set the RECEIVE switch on the front of the unit to ON position.

There is actually nothing you have to do to receive documents in this mode. When someone dials your number, the FAX-1000 will automatically answer the phone. The display will show the year, month, date and time and the word READY which will then change to the word RECEIVING. Very shortly, you will hear the unit working and almost immediately, you will see the document emerging from the unit.

The FAX-1000 will receive a transmission even if you leave documents in the feeder, provided the RECEIVE switch is in the ON position.

The Brother FAX-1000 is capable of **unattended operation**. That is, you can receive documents even when you are not there. All you have to do is leave the RECEIVE switch in the ON setting. When you come back, you will see the received documents. This feature allows your associates to transmit their documents to you when the phone rates are lowest, in the evening, on weekends or at night.

B. Manual reception of documents

If the unit is not set for automatic reception, i.e., if the RECEIVE switch is set to OFF, you can receive documents if you follow these simple instructions:

- a. Pick up the phone when you hear a ring. If you hear an audio tone instead of a voice, you know that someone is trying to transmit to you.
- b. Press the START/COPY button.
- d. Replace the handset.
- e. The unit starts receiving the transmission.

NOTE: The FAX-1000 can count the number of rings and switch to RECEIVE mode automatically after a specified number of rings.

C. FOOTER PRINT

The following data can be printed at the bottom of the received page: Date, Time, Page number. This footer data can be deleted as follows:

1. Press the MODE button five (5) times. The display will read SET UP 1 START SW.
2. Press START/COPY button twice. The display will state: FOOTER PRINT ON 0: OFF 1: ON.
3. Press "0" to delete the footer. The display will read FOOTER PRINT OFF COMPLETED.
4. If you wish to include the footer, go through steps #1 and #2 and press "1" in step #3.

IV. HOW TO USE THE TELEPHONE HANDSET

The FAX-1000 can be used as a telephone with manual, speed dialing and one-touch features. If you wish to use this unit as a telephone, do not insert a document into the feeder.

To use the FAX-1000 as a telephone in the manual mode, pick up the handset, press the MAN. DIAL button and dial the other party's telephone number.

To use the FAX-1000 as a telephone in the speed dialing mode, pick up the handset, press the SPD DIAL button and press the two-digit code for the dialed number.

To use the FAX-1000 as a telephone in the one-touch dialing mode, pick up the handset and press the one-touch key.

To dial the last number called, first press the SPEAKER button, then press the REDIAL button. The last number dialed whether by one-touch dialing, speed dialing, on-hook dialing or manual dialing, will be redialed. You can also use redial by picking up handset and pressing REDIAL button.

To do on-hook dialing, press the SPEAKER button, use a dialing mode of your choice and pick up the handset when your party responds. To clear the speaker mode, press the SPEAKER button again.

To mute your voice while talking, press the MUTE button on the handset and release this button when you wish to be heard again.

To make a call reservation while receiving or transmitting, press CALL button. The indicator lamp will light up. After a page is transmitted or received, the unit will flash an indicator lamp and emit a seven seconds buzz. The display of the called party will indicate your name / company name and CALLING. Pick up the handset, press the STOP button and talk. The display will show the year, month, date and time and the word READY. If neither party picks up the phone, the call reservation is cancelled automatically after the completion of the transmission.

To transmit the line hold tone, press the MODE button until you see the display showing MUTING. Then, you can place the handset on the hook without disconnecting the line. To resume talking, press the MODE button again. The hold line tone will stop, the display will indicate READY and you can resume conversation.

V. THE JOURNAL, TRANSMISSION AND OTHER REPORTS

A. The journal

The FAX-1000 prints out a Journal that lists all of the transactions, both in transmitting and receiving modes. The Journal lists:

- The serial number of the transaction
- The telephone number of the transmitter/receiver
- An identification as a sender (S) or receiver (R)
- Number of pages in the transmission
- Starting time
- Total communication time
- Result (indicates G3 or G2 and adds "OK" for successful communication and "NG" for an unsuccessful one)
- The identification of the transmitting or receiving party

While the Journal is printed out automatically, it is possible to request that a journal be printed out at your convenience. To do so, press the MODE button until the display indicates PRINT 1: JOURNAL 2: DIAL. Press "1" to start printing the Journal.

To turn off the automatic printing of the Journal:

1. Press the MODE button until you see SET UP 1 and "MENU: START SWITCH" on the display.
2. Press START/COPY button three (3) times so that the display states: JOURNAL ON 0:OFF 1:ON.
3. To suppress the automatic printing of the Journal, press 0. The display will indicate JOURNAL OFF COMPLETED.

B. Page counter

If you wish to know the total number of pages transmitted by the FAX-1000 since its installation, press the MODE button four (4) times. Make sure that there is no document in the feeder when you are requesting this report.

C. The telephone numbers report

To print out a complete list of one-touch and speed-dialing telephone numbers stored in the FAX-1000, press the MODE switch three (3) times. The display will say PRINT 1: Journal 2: DIAL. By pressing "2" you will get a one page listing of the 16 one-touch numbers and a two page printout of the 64 speed dial numbers.

D. The transmit report

If you desire, then after every transmission the FAX-1000 can print out a transmit report which lists:

- The telephone number of the receiver
- The receiver's name
- The number of pages
- Total time
- The result of the transmission
- Error page (shows the pages which were not transmitted due to errors on the communication line).

To turn ON the automatic printing of the transmission report:

1. Press the MODE button until you see SET UP 1 and "MENU: START SWITCH" on the display.
2. Press START/COPY button four (4) times so that the display states:
TX REPORT ON 0:OFF 1:ON.
3. To activate the automatic printing of the REPORT, press 1. The display will indicate TX REPORT ON COMPLETED.

TROUBLESHOOTING

Please check this table of possible problems before requesting a service visit.

DISPLAY	BUZZER & ALARM	EXPLANATION	ACTION
CONNECTION BAD PLEASE RETRY	Alarm sounds for 30 sec.	Transmission cannot be completed.	Press STOP to eject the document and retransmit.
LINE BUSY PLEASE RETRY	Alarm sounds for 30 sec.	Line is busy or the receiver does not answer.	Press STOP and resend.
CLOSE COVER		The cover is opened.	Close the cover.
NO PAPER	Alarm sounds for 30 sec.	No recording paper.	Insert a new paper roll.
PAPER JAM	Alarm sounds for 30 sec.	Recording paper is jammed.	Turn the POWER switch OFF and remove the jammed paper.
DOCUMENT JAM	Alarm sounds for 30 sec.	Document is jammed.	Turn the POWER switch OFF and remove the jammed document.
WAIT		The temperature inside the unit is high.	Wait until the unit cools off, as will be evidenced by the display going off.
SPEAKER ON		The phone line is connected to the monitor speaker of the unit.	Press the SPEAKER switch again to cancel this mode.
NO NUMBER STORED	Short alarm sounds.	No telephone number is stored in the corresponding speed dial or one-touch dial key.	Either dial manually or store the required phone number.

TO REMOVE JAMMED ORIGINAL DOCUMENTS:

- The display shows "DOCUMENT JAM" message and the alarm beeps for 30 sec.
- Press the STOP button. The alarm stops. Turn the POWER switch OFF.
- Press the OPEN button at the upper right of the control panel.
- Open the front cover of the unit and gently remove the jammed paper.
- Using both hands, close the cover.
- Turn the POWER button ON.

TO REMOVE JAMMED RECORDING PAPER:

- The display shows " PAPER JAM" message and the alarm beeps for 30 sec.
- Press the STOP button. The alarm stops. Turn the POWER switch OFF.
- Press the OPEN button at the lower left of the control panel.
- Open the rear cover of the receiver.
- Remove jammed paper inside the cutter by pulling out the cutter cover.
Dismount the guide inside to remove pieces of paper. Hold the cutter cover with both hands, sliding it into the upper cover.
- Cut the edge of the recording paper with scissors to even it out.
- Close the cover using both hands.
- Press the STOP button for approximately one second until the edge of the recording paper comes out.

ONE-TOUCH TELEPHONE DIRECTORY

ONE-TOUCH NUMBER	TELEPHONE NUMBER	NAME
A		
B		
C		
D		
1		
2		
3		
4		
5		
6		
7		
8		
9		
0		
*		
#		

SPEED-DIAL DIRECTORY

Speed-dial No.	Telephone Number	Name
01		
02		
03		
04		
05		
06		
07		
08		
09		
10		
11		
12		
13		
14		
15		
16		
17		
18		
19		
20		
21		
22		
23		
24		
25		
26		
27		
28		
29		
30		
31		
32		

Speed-dial No.	Telephone Number	Name
33		
34		
35		
36		
37		
38		
39		
40		
41		
42		
43		
44		
45		
46		
47		
48		
49		
50		
51		
52		
53		
54		
55		
56		
57		
58		
59		
60		
61		
62		
63		
64		

SPECIFICATIONS

Type	Desktop transceiver
Lines	Public Switched Telephone Network (PSTN)
Connection	Direct
Transmission speed	9600/7200/4800/2400 BPS automatic fallback
Scanning line density	Horizontal: 8 dots/mm (203 LPI) Vertical: 7.7 dots/mm (196 LPI), Standard 3.85 dots/mm (98LPI)
Document size	Width: 5.8" – 10.1" Length: 3.5" to 47"
Recording paper size	8.5"(width) x 164' (length of the roll) 10.1" (width) x 164' (length)
Paper cutting	Automatic
Transmission mode	G3 and G2
Band compression	MH and Unique modes
Recording method	Thermal head
Reading	Contact image sensor
Power consumption	AC 120V (Operation max.) 140W (normal) 30W (standby) 17W
Dimensions	9.0" x 15.4" x 8.3"
Weight	Approximately 19.8 lb
Environment	Normal office temperature and humidity. Excessive temperatures (both low and high) and excessive humidity may affect the operation of the unit.
Compatibility	CCITT Group 3 and 2
Telephone Handset	Dialing: Tone/Pulse (DTMF/10pps) Station memories: 80 (16 one touch 64 speed dial, 25 digits each). Last number redial. Connection requirement: USOC RJ11C Modular Jack or equivalent.

Specifications are subject to change without notice

